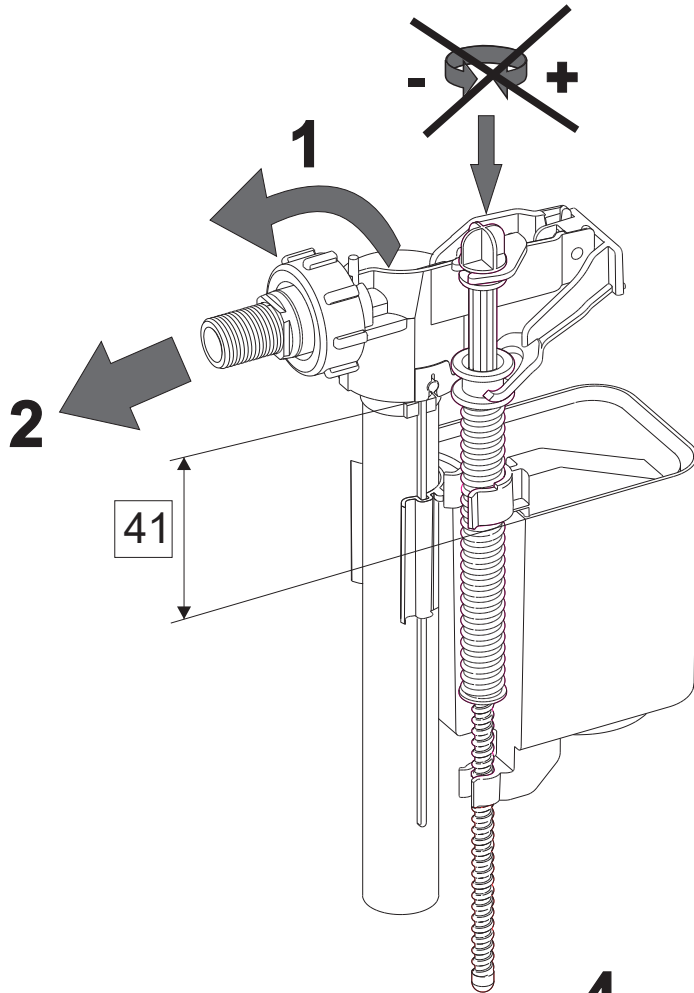
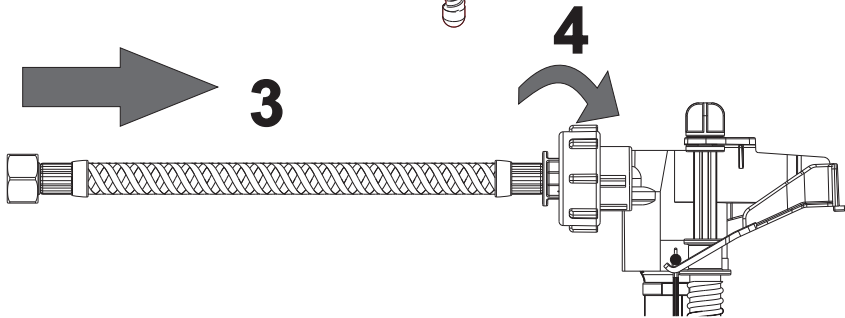


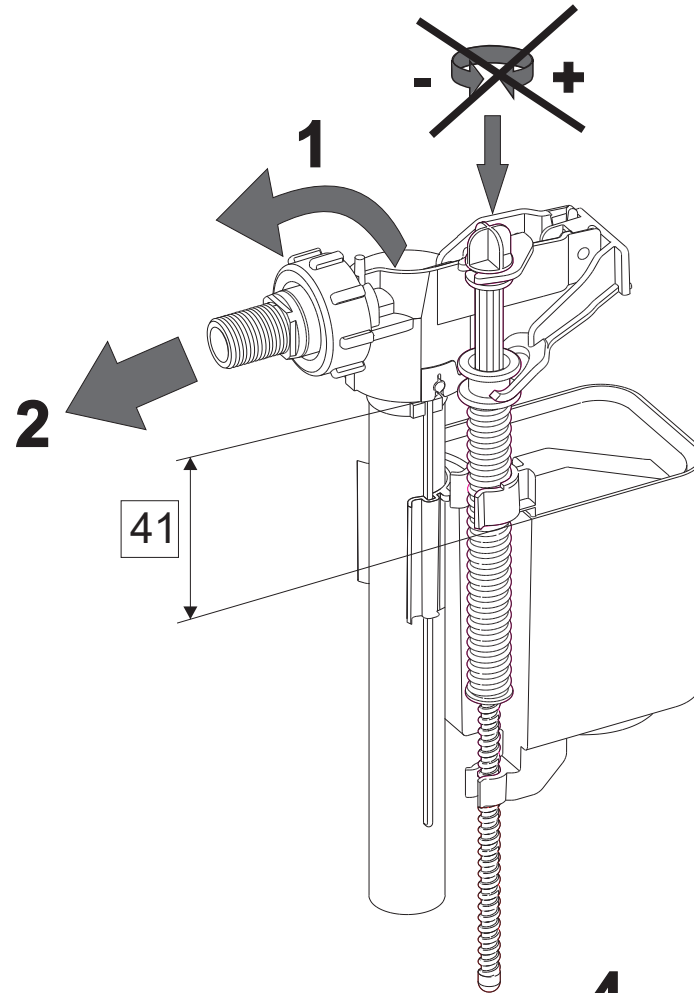
# HYDRO DURABLE VALVE



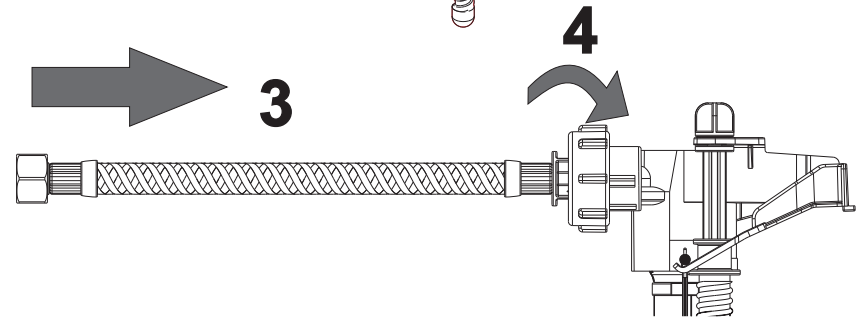
- UP 182
- UP 187
- UP 188
- UP 189
- UP 192
- UP 198



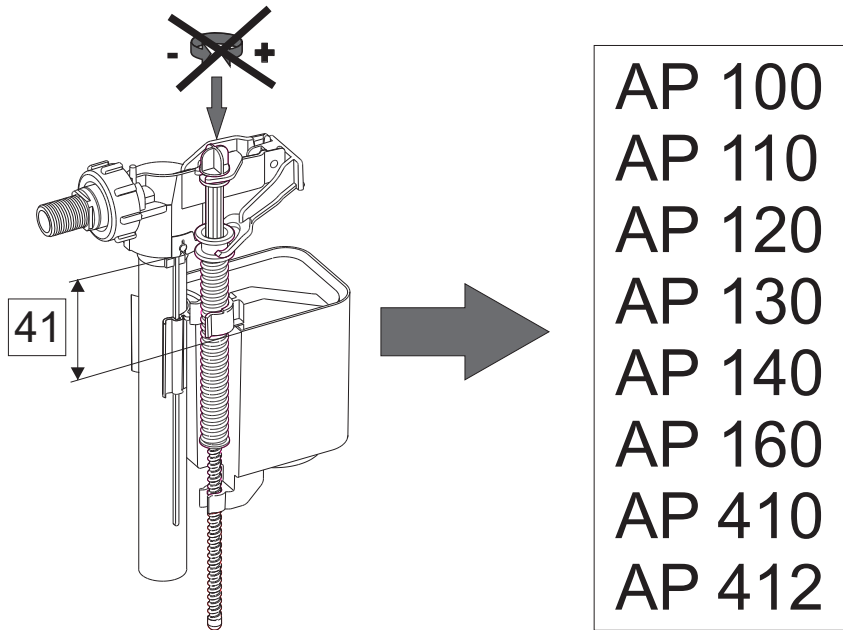
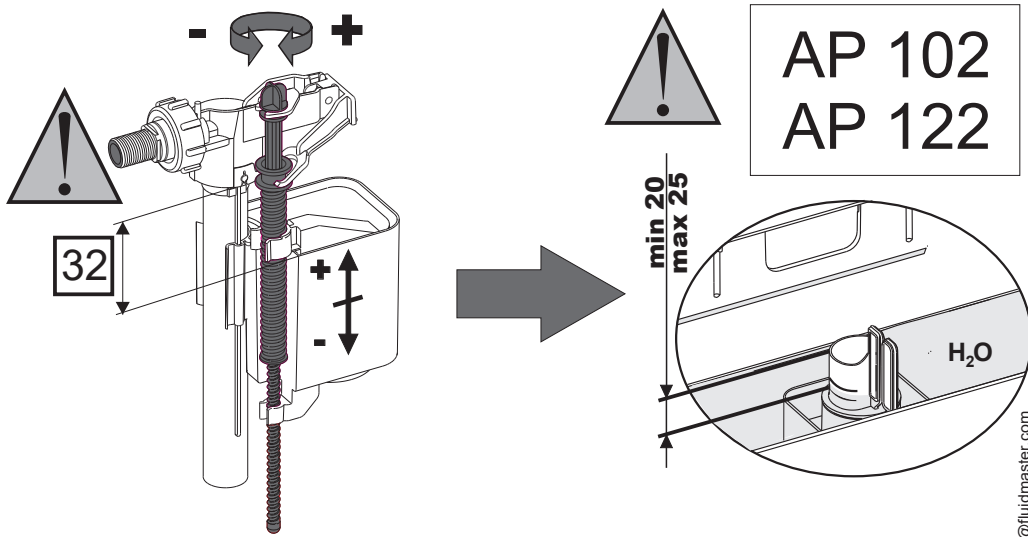
# HYDRO DURABLE VALVE



- UP 182
- UP 187
- UP 188
- UP 189
- UP 192
- UP 198

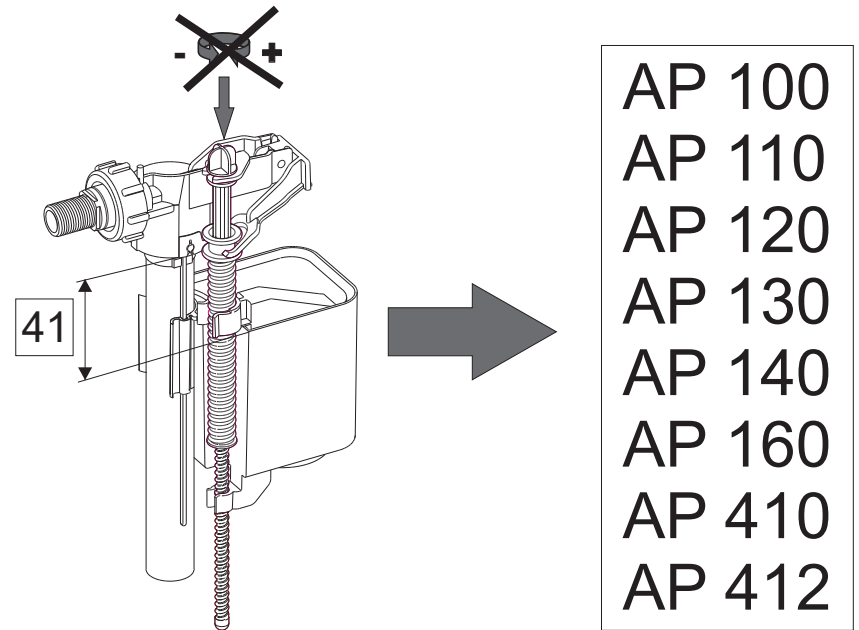
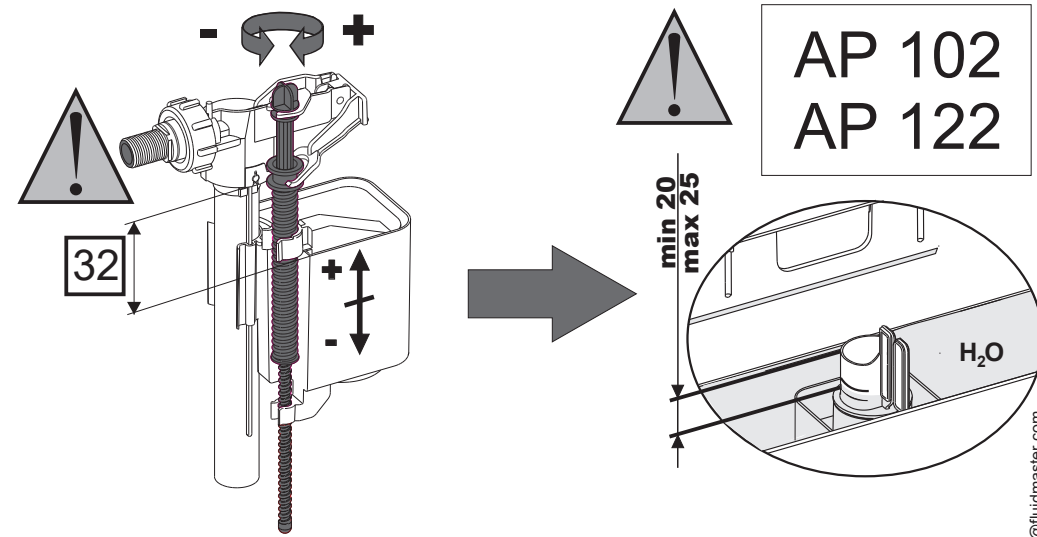


# HYDRO DURABLE VALVE



5-226-719 - 06-2014 (A) Fluidmaster d.o.o., Industrijska cesta 2, SI-6230 Postojna, @: info@fluidmaster.com

# HYDRO DURABLE VALVE



5-226-719 - 06-2014 (A) Fluidmaster d.o.o., Industrijska cesta 2, SI-6230 Postojna, @: info@fluidmaster.com